

Resin reservoirs

0.2 . 0.4ℓ



[T-2LP]



[T-4LP]

Model

Applicable pump	Model	Part Number	Useful capacity	Total capacity
L3	T-2LP	254104	0.2ℓ	0.22ℓ
EX-5, L5	T-4LP	254106	0.4ℓ	0.5ℓ

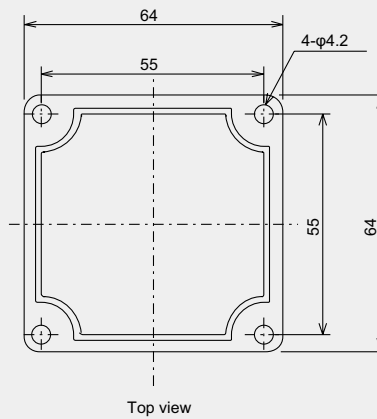
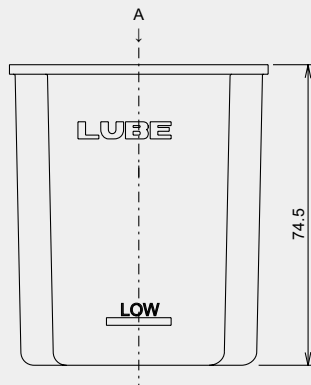
Material : Cellulose Acetate

Directions for use

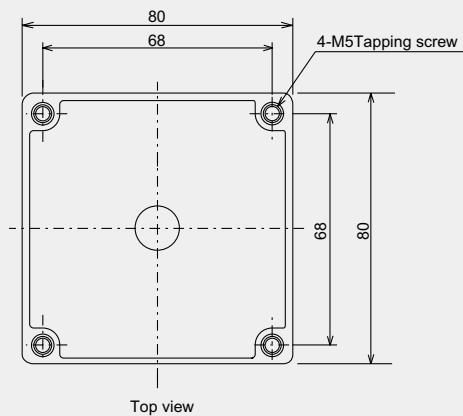
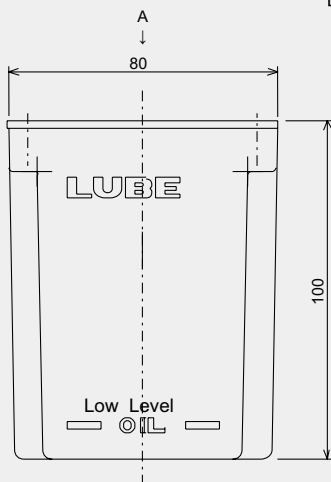
- Do not use solvents.
- Clean at least once a year.
- For details, see instruction manual.

* Should the pump malfunction, contact LUBE for consultation.

Dimensional drawing



[T-2LP]Part Number 254104



[T-4LP]Part Number 254106