

Resin reservoirs

0.8 . 1.8ℓ



[T-8LP]



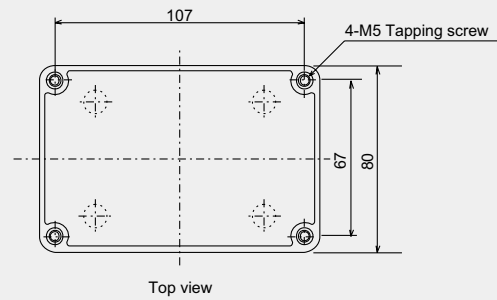
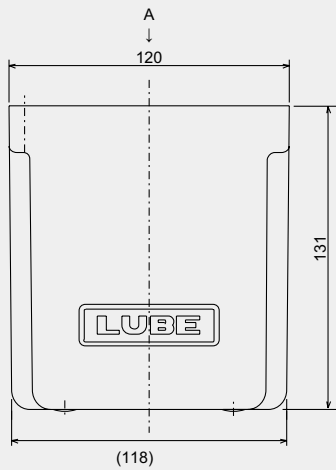
[T-18LP]

Model

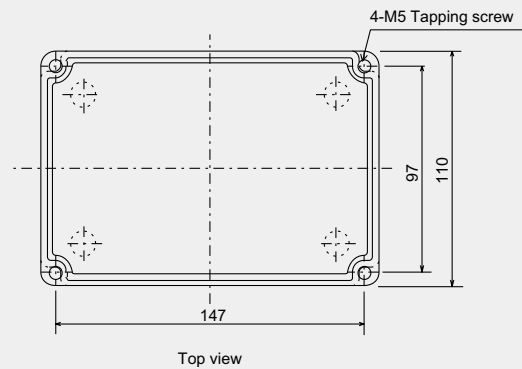
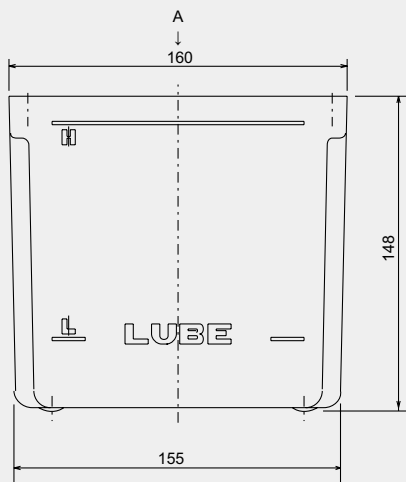
Applicable pump	Model	Part Number	Useful capacity	Total capacity
L8 MLZ	T-8LP	254102	0.8ℓ	1.0ℓ
AMZ-III, AMZ100S, AMO, MMXL-III, MMX- II, EX, AMR-III -150, L20, AMS, PM-8S	T-18LP	609576	1.8ℓ	2.0ℓ

Material : Cellulose Acetate

Dimensional drawing



[T-8LP]Part Number 254102



[T-18LP]Part Number 609576