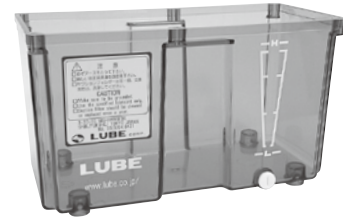


# Resin reservoirs

3ℓ



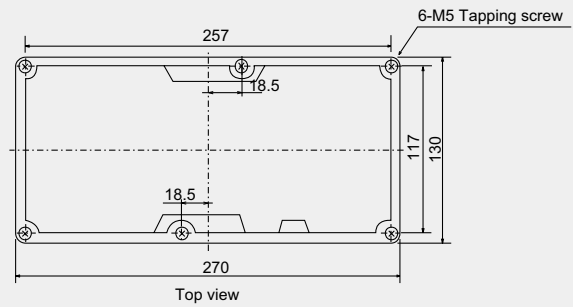
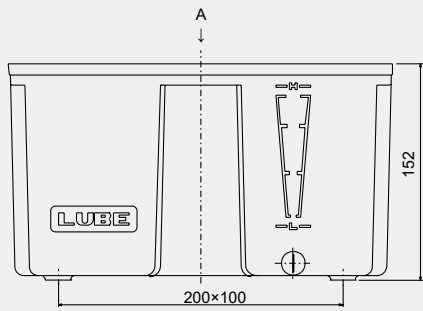
[T-30LP]

## Model

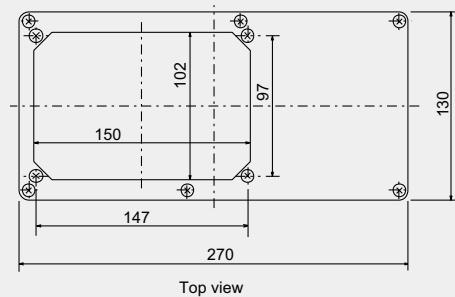
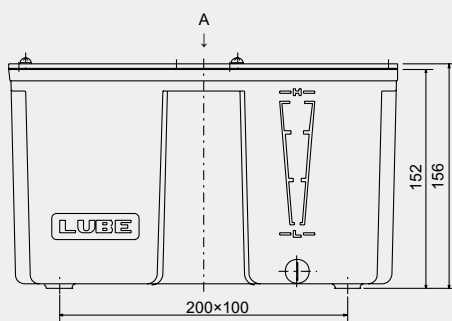
Applicable pump	Model	Part Number	Pump position
AMZ100S, AMO, MMXL-III , MMX-II , AMR-III -150, AMS, PM- 8S	T-30LP	609583	—
	T-30LP-LX	104657	Left
	T-30LP-RX	104658	Right

Material: Cellulose Acetate  
Useful capacity: 3L  
Total capacity: 4L

## Dimensional drawing



[T-30LP]Part Number 609583



[T-30LP-LX]Part Number 104657