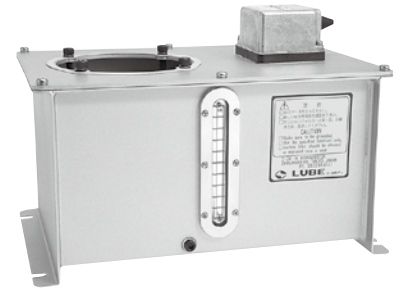


# ■ Metal reservoirs

4ℓ

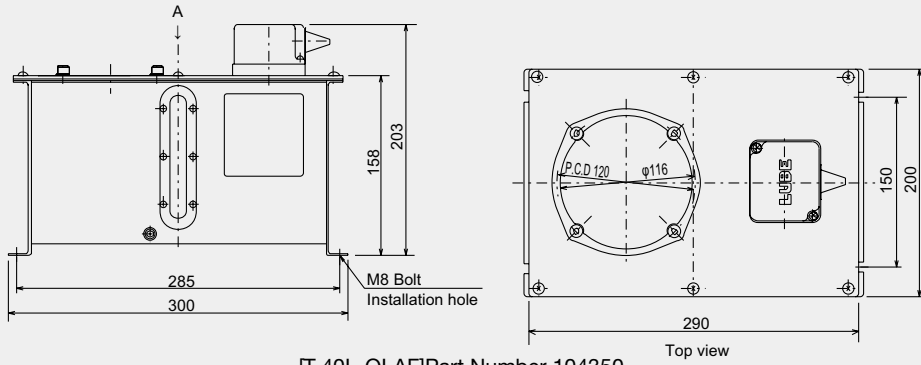


## ■ Model

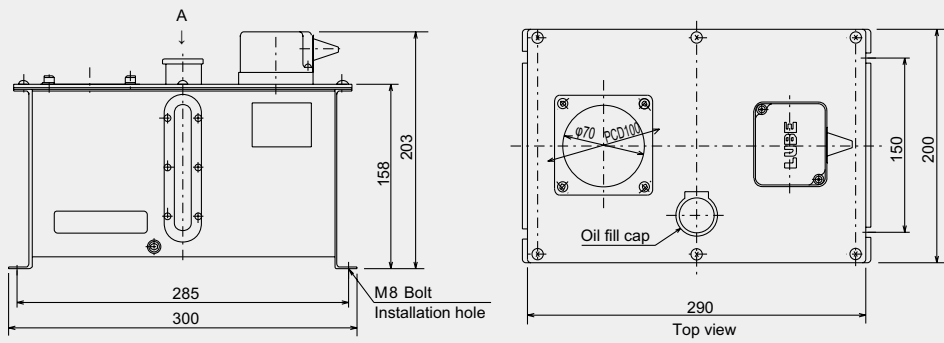
Applicable pump	Model	Part Number	Pump position	Mounting	Oil level switch
AMZ100S AMO AMR-III-150	T-40L-AOF	104356	Right	Foot	—
	T-40L-AOB	104456	Right	Back	—
MMXL-III MMX-II AMS PM-8S	T-40L-LXF	104343	Left	Foot	—
	T-40L-LXB	104443	Left	Back	—
	T-40L-RXF	104344	Right	Foot	—
	T-40L-RXB	104444	Right	Back	—
AMI-300S AMI-300	T-40L-LHF	104348	Left	Foot	Without
	T-40L-LHB	104448	Left	Back	Without
	T-40L-RHF	104349	Right	Foot	Without
	T-40L-RHB	104449	Right	Back	Without
	T-40L-OLHF	104354	Left	Foot	With
	T-40L-OLHB	104454	Left	Back	With
	T-40L-ORHF	104355	Right	Foot	With
	T-40L-ORHB	104455	Right	Back	With
AMI-1000S AMI-1000	T-40L-LKF	104346	Left	Foot	Without
	T-40L-LKB	104446	Left	Back	Without
	T-40L-RKF	104347	Right	Foot	Without
	T-40L-RKB	104447	Right	Back	Without
	T-40L-OLKF	104352	Left	Foot	With
	T-40L-OLKB	104452	Left	Back	With
	T-40L-ORKF	104353	Right	Foot	With
	T-40L-ORKB	104453	Right	Back	With
ACM-II AM ADM	T-40L-LAF	104341	Left	Foot	Without
	T-40L-LAB	104441	Left	Back	Without
	T-40L-RAF	104342	Right	Foot	Without
	T-40L-RAB	104442	Right	Back	Without
	T-40L-OLAF	104350	Left	Foot	With
	T-40L-OLAB	104450	Left	Back	With
	T-40L-ORAF	104351	Right	Foot	With
	T-40L-ORAB	104451	Right	Back	With

Material: SPCC Total capacity: 6.3L Useful capacity: 4.2L Coating color: Silver

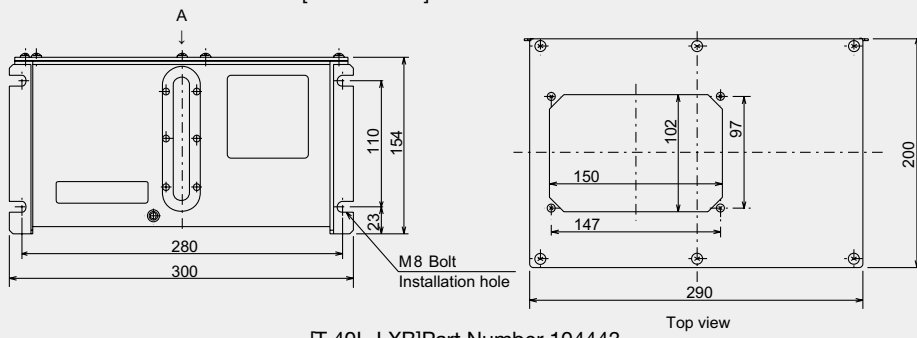
Dimensional drawing



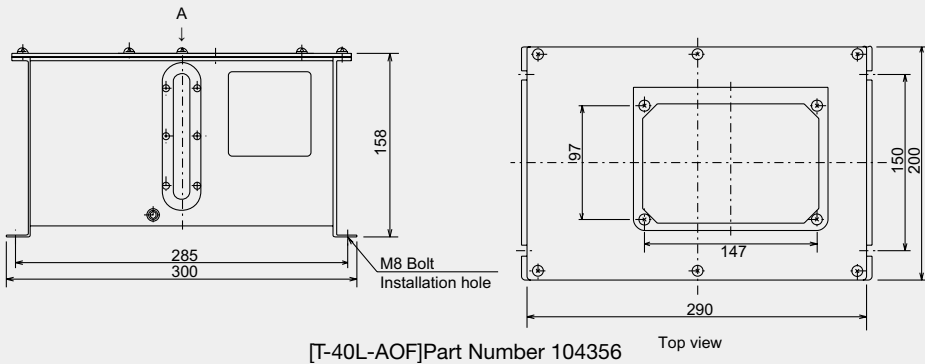
[T-40L-OLAF]Part Number 104350



[T-40L-OLHF]Part Number 104354



[T-40L-LXB]Part Number 104443



[T-40L-AOF]Part Number 104356