

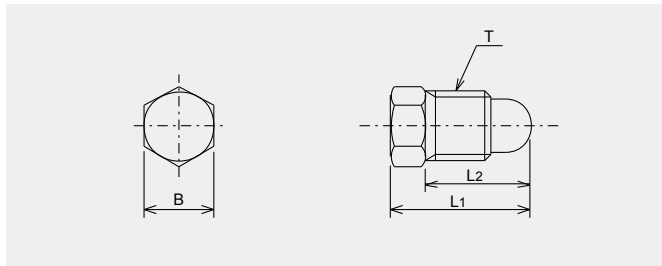
■ Closure plugs/ Sealing washers

Closure plugs, Blanking plugs

RoHS compliant products are also available.
Please contact LUBE for details.



■ Dimensional drawing

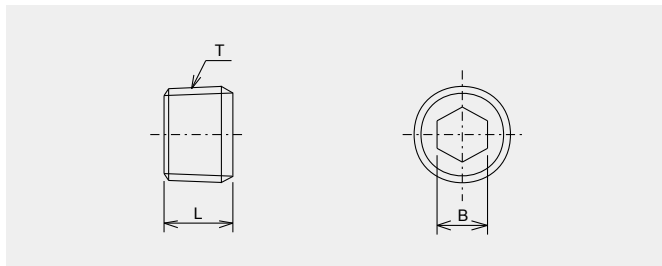


■ Model

Closure plug

Model	Part Number	L1	L2	T	B
CP-4	106255	16	12	M8×1	8
CP-6	206255	20	15	M10×1	10
CP-8	207255	28	20	M14×1.5	14

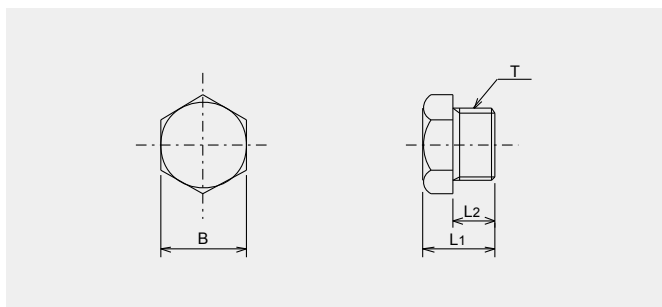
Material : C3604



Blanking plug

Model	Part Number	L	T	B
BP-1	540170	7	R1/8	5
BP-2	290038	9	R1/4	6

Material : Steel

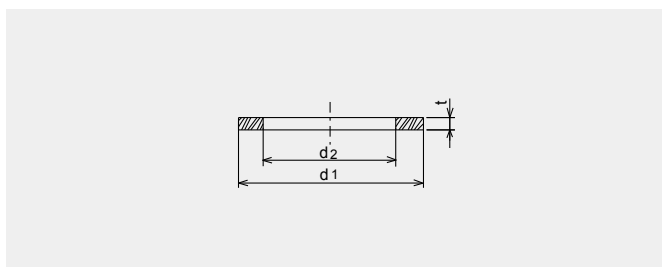


Blanking plug

Model	Part Number	L1	L2	T	B
BP-8	206274			M8×1	11
BP-10	206275	10	6	M10×1	12
BP-12	206276			M12×1	14
BP-14	207276	13	8	M14×1.5	17

Material : C3604

Use with sealing washer.



Sealing washer

Model	Part Number	d1 (φ)	d2 (φ)	T
SW-8	207610	12	8	1
SW-10	207611	14	10.1	1
SW-12	207612	16	12.1	1.5
SW-14	207613	18	14.1	1.5

Material : C2600

Tubing Parts