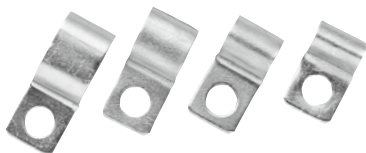
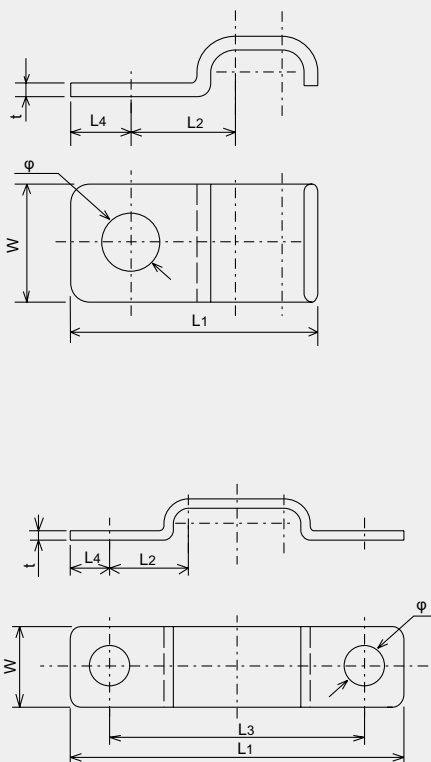


■ Tube clips



RoHS compliant products are also available. Please contact LUBE for details.

Dimensional drawing



Model

Model	Part Number	Number and O.D. of tubing	L ¹	L ²	L ³	L ⁴	t	W	φ
PC-4-1	106301	4×1	17.2						
PC-4-2	106302	4×2 One side fixed	21.2	9	-				
PC-4-3	106303	4×3	25.2						5.2
PC-4-4	106304	4×4	42		32				
PC-4-5	106305	4×5 Two side fixed	46	10	36				
PC-4-6	106306	4×6	50		40			10	
PC-4-1L	106311	4×1	17.2						
PC-4-2L	106312	4×2 One side fixed	21.2	9	-				
PC-4-3L	106313	4×3	25.2					1.2	
PC-4-4L	106314	4×4	42		32				6.2
PC-4-5L	106315	4×5 Two side fixed	46	10	36				
PC-4-6L	106316	4×6	50		40				
PC-4-1LL	106321	4×1	22.2						
PC-4-2LL	106322	4×2 One side fixed	26.2	11	-				
PC-4-3LL	106323	4×3	30.4	11.2		8		15	8.5
PC-4-4LL	106324	4×4 Two side fixed	50	11	34				
PC-4-5LL	106325	4×5 One side fixed	38.4	11.2	-				

Model	Part Number	Number and O.D. of tubing	L ¹	L ²	L ⁴	t	W	φ
PC-6-1	206301	6×1	20.2					
PC-6-2	206302	6×2	25.2					5.2
PC-6-3	206303	6×3	31.2					
PC-6-1L	206311	6×1 One side fixed	20.2	10	5		10	
PC-6-2L	206312	6×2	25.2			1.2		6.2
PC-6-3L	206313	6×3	31.2					
PC-6-1LL	206321	6×1	24.2					
PC-6-2LL	206322	6×2	30.4	12	8		15	8.5

Model	Part Number	Number and O.D. of tubing	L ¹	L ²	L ⁴	t	W	φ
PC- 8-1	207301	8×1	22.7					
PC- 8-2	207302	8×2 One side fixed	30.7	12	6	1.6	11.5	6.4
PC-10-1	208301	10×1	29.2	14.4	8	1.2	15.4	6.2