

Adapter

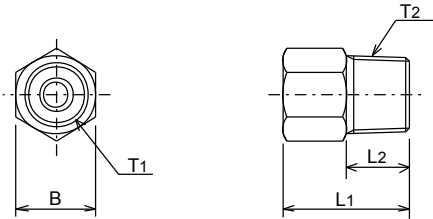
SA - Straight Adapters

RoHS compliant products are also available. Please contact us for details.



Some parts are available with standard threads. Contact LUBE for details.

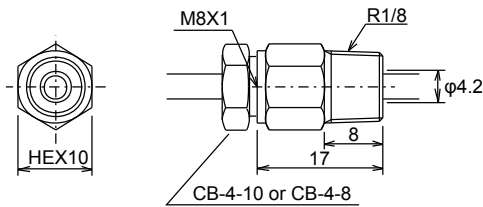
Dimensional drawing



Model

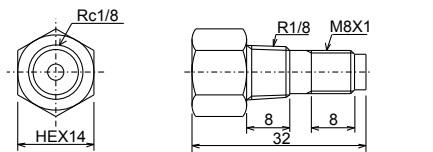
Model	Part Number	Tubing O.D. (φ)	L ₁	L ₂	T ₁	T ₂	B
SA4-16	106001	4	16	8	M8×1	R1/8	10
SA4-20	106002		20	12			
SA4-25	106003		25	17			
SA4-30	106004		30	22			
SA4-35	106005		35	27			
SA6-20	206001	6	20	8	M10×1		12
SA8-28	207001	8	28	10	M14×1.5	R1/4	17

Material: C3604



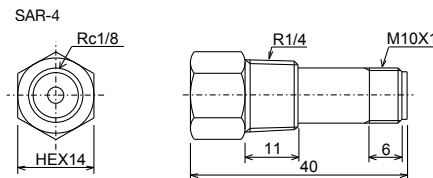
Model	Part Number	Tubing O.D. (φ)
SA-4K	106011	4

Material: C3604

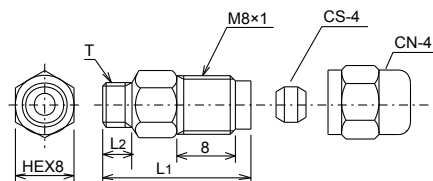


Model	Part Number	Tubing O.D. (φ)
SAR-4	106061	4
SAR-6	206223	6

Material: C3604



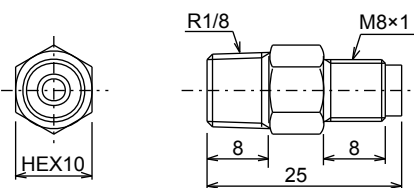
SAR-6



How to connect tubing

Model	Part Number	Tubing O.D. (φ)	L _{1s}	L ₂	T
SAT-6A	106062	4	20	4	M6×1
SAT-6B	106065		23	7	M6×0.75

Material: C3604

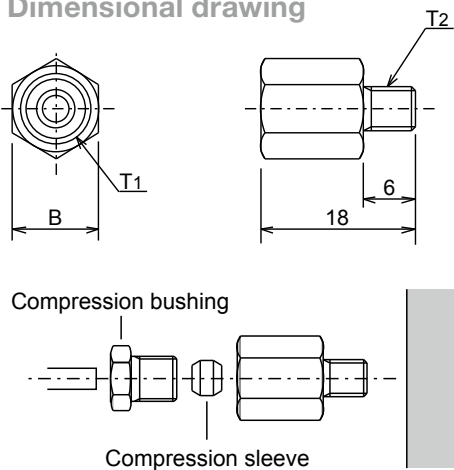


Model	Part Number	Tubing O.D. (φ)
SAT-1R	106081	4

Material: C3604

RoHS compliant products are also available.
Please contact LUBE for details.

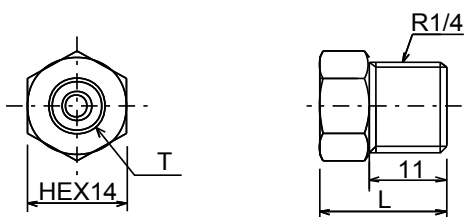
Dimensional drawing



Model

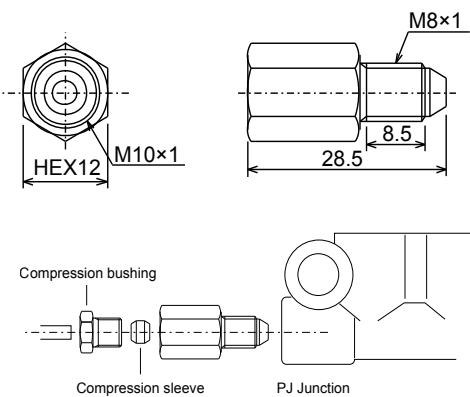
Model	Part Number	Tubing O.D. (φ)	L1	L2	T1	T2	B
SA4-5A	106082					M5×0.8	
SA4-6A	106084					M6×1	
SA4-6B	106085	4	18	6	M8×1	M6×0.75	10
SA4-7A	106087					M7×1	
SA4-8A	106088					M8×1	
SA4-10A	106089					M10×1	
SA6-6A	106094	6	21	6	M10×1	M6×1	12
SA4-U	106099	4	22	8	M 8×1	1/4-28UNF	10
SA6-U	106353	6	21	6	M10×1		12

Material: C3604



Model	Part Number	Tubing O.D. (φ)	T	L
SA4-2R	106091	4	M 8×1	18
SA6-2R	206081	6	M10×1	20

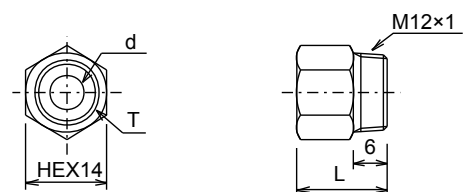
Material: C3604



Model	Part Number	Tubing O.D. (φ)
SA6-8T	106095	6

Material: C3604

ø6 tubing can be used instead of ø4 tubing.



Model	Part Number	Tubing O.D. (φ)	T	d (φ)	L
SA4-12A	206012	4	M 8×1	3	14
SA6-12A	206011	6	M10×1	4	16

Material: C3604
*Use with sealing washer.