

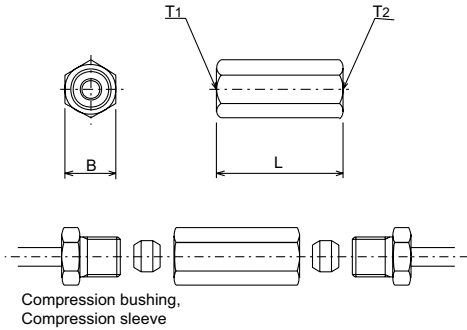
Couplers/ Unions



RoHS compliant products are also available. Please contact LUBE for details.

Some parts are available with standard threads. Contact LUBE for details.

Dimensional drawing



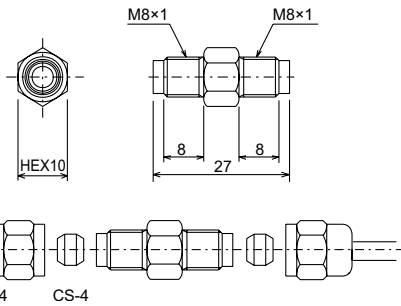
[How to connect]

Model

Model	Part Number	Tubing O.D. (φ)	T ₁	T ₂	L	B
KP-44	106201	4×4			25	10
KP-46	106202	4×6	M8×1.0	M10×1.0	27	12
KP-4R	106291	4		Rc1/8	25	
KP-66	106292	6×6		M10×1.0	29	14
KP-6R	106293	6	M10×1.0			
KP-RR	106294	—	Rc1/8	Rc1/8	25	
KP-88	207201	8×8	M14×1.5	M14×1.5	40	17
PSC	207202	—	Rc3/8	Rc1/8	25	21

Material: C3604

*Use T1-4 for nylon tubing connection.

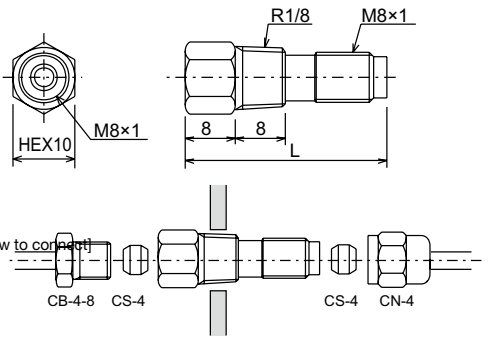


[How to connect]

Model	Part Number	Tubing O.D. (φ)
KPW-4	106211	4

Material: C3604

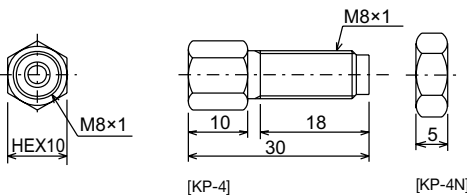
*Use T1-4 for nylon tubing connection.



[How to connect]

Model	Part Number	Tubing O.D. (φ)	L
KPR-4	106221	4	32

Material: C3604



[How to connect]

Model	Part Number	Tubing O.D. (φ)	Material
KP-4	106231	4	C3604
KP-4N	106232		SS400

