

Positive Displacement Injector Electric Pump with solenoid protection PDI plus Progressive Twin Electric Pump (for "T" series pumps)

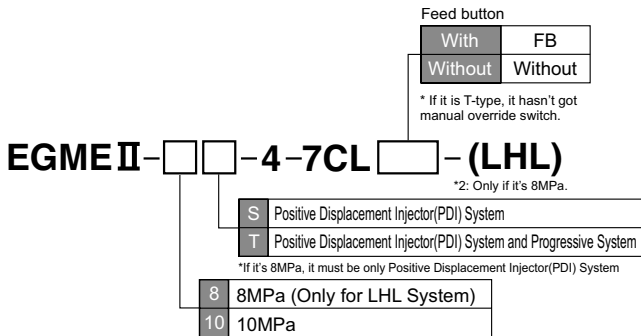
EGME II

Small, low cost pump for use with our original cartridge grease. EGME-II pumps have a built in solenoid protection circuit which eliminates the 7.5 minute maximum running time of other EGM pumps.



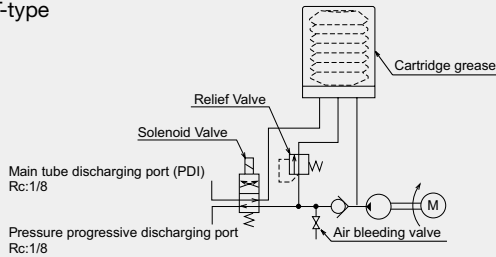
[EGME II]

Model Reference

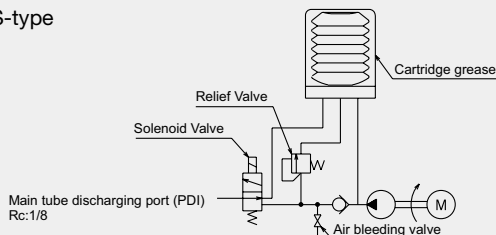


Hydraulic circuit diagram

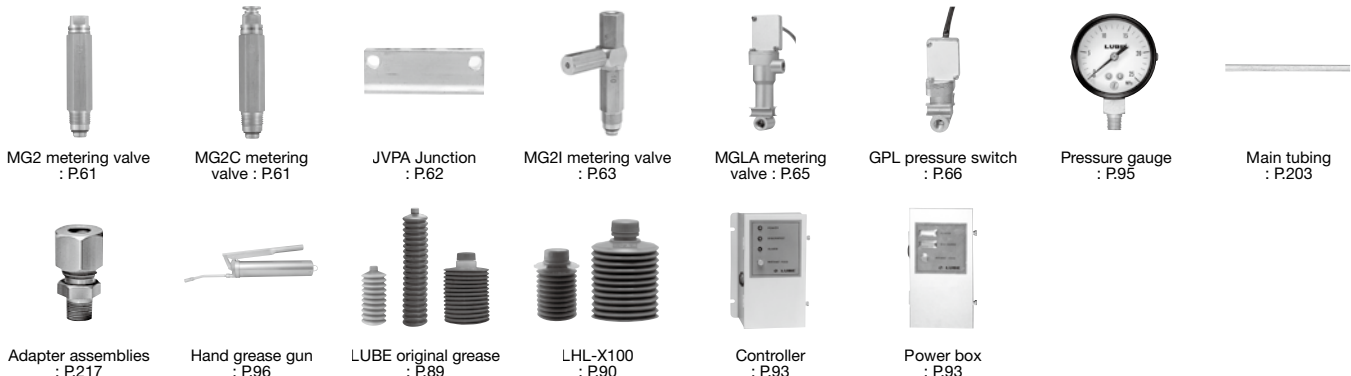
T-type



S-type



Related parts



Model

Model	Part Number
EGMEII-10S-4-7CL	103922
EGMEII-10S-4-7CLFB	103923
EGMEII-10T-4-7CL	103932
EGMEII-8S-4-7CLFB-LHL	103921
EGMEII-8S-4-7CL-LHL	103920

Specifications

Power	DC24V
Power Consumption	28.8W
Discharge pressure	8MPa (Only for LHL System) 10MPa
Maximum discharging time	No restriction
Minimum interval time	10 seconds
Wiring method	Terminal connection
Manual override switch	Yes (Optional: Only PDI system) *
Grease level switch	Yes
Solenoid cover	Non combustible plastic (UL94-V0)
Protection class	IP54
CE approval	Yes
Pump air bleeding valve	Yes
Weight	2.0kg (With manual operating switch: 2.1kg)

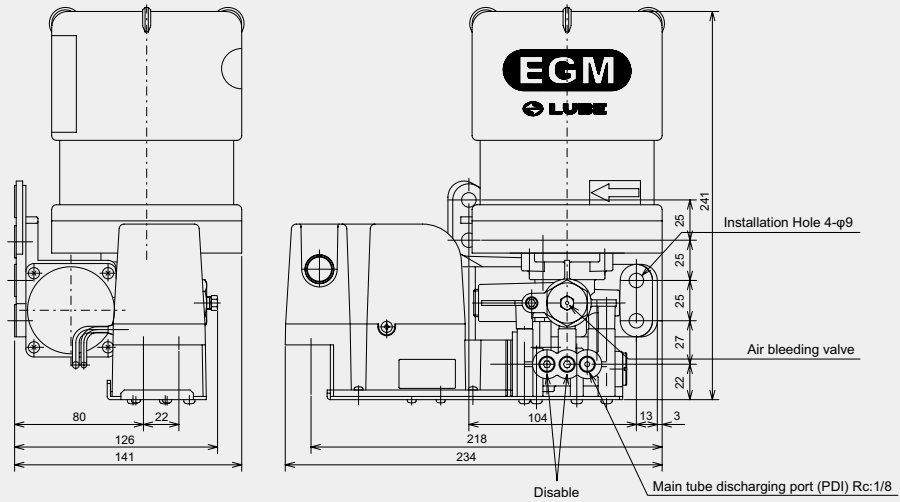
* Although the Manual Override Switch provides a dry contact to activate the pump, its capacity is not sufficient to sustain the power required to operate the pump. Therefore, the power needs to be provided directly to the pump from the machine control panel. See wiring diagram P.42.

Directions for use

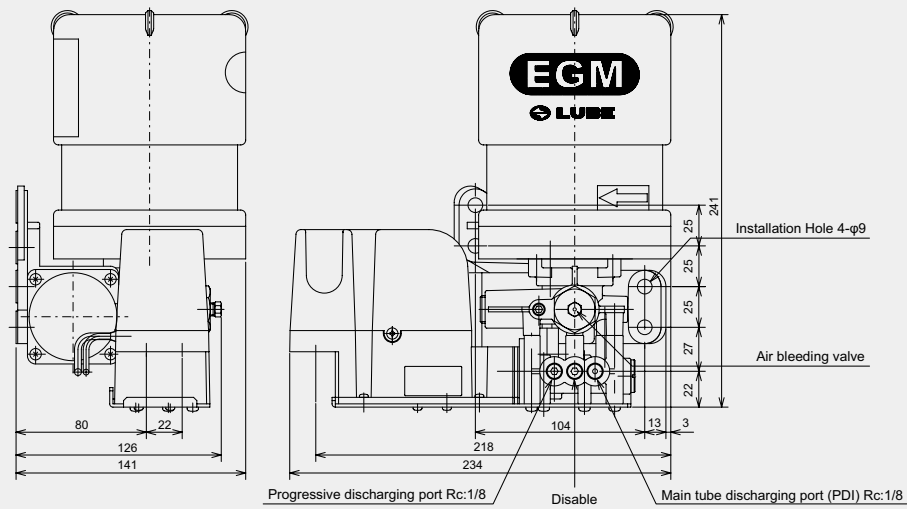
- Use recommended grease only.
- Never use greases containing molybdenum disulfide.
- Use lithium grease. (Contact LUBE for consultation when non-lithium greases must be used.)
- Do not use any greases containing substances that attack brass or rubber.
- When the cartridge is changed, take care that foreign particles are not introduced to pump.
- Do not discharge continuously.
- After changing the cartridge, bleed the air inside the pump by opening the air bleeding valve.

Dimensional drawing

[EGME II-10S-4-7CLFB]

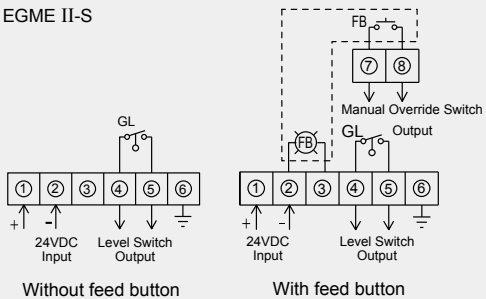


[EGME II-10T-4-7CL]

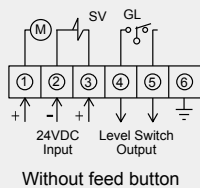


Wiring diagram

EGME II-S



EGME II-T



Grease level switch

Grease level switch

