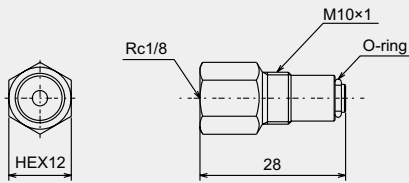


MU Valve Junctions & Special Fittings

For MU small metering valve installation



Dimensional drawing

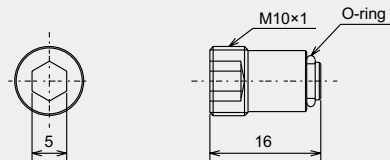


[Connector assembly]

Model

Model	Part Number
MU-SC	619841

Material: Brass (C3604)

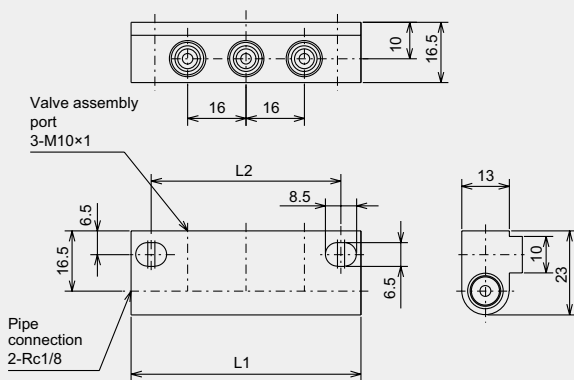


[Plug assembly]

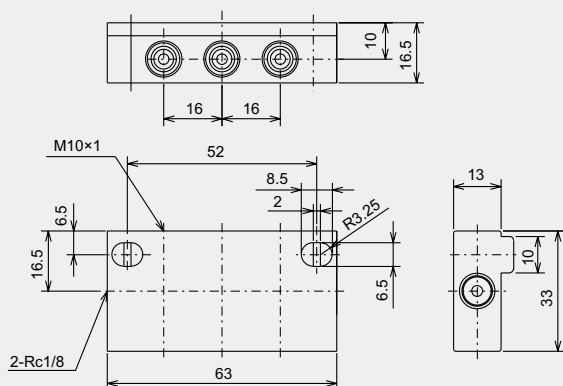
Model	Part Number
MU-BP	619840

Material: Steel (SUM24)

Positive Displacement
Injector (PDI) System for
Small-Medium Machines



[Junction MUJ-3S]



[Junction MUJ-6D]

Model	Part Number	Specificaltion	L ¹	L ²
MUJ-1S	216101	Single type for 1 port	31	20
MUJ-2S	216102	Single type for 2 ports	47	36
MUJ-3S	216103	Single type for 3 ports	63	52
MUJ-4S	216104	Single type for 4 ports	79	68
MUJ-5S	216105	Single type for 5 ports	95	84
MUJ-6S	216106	Single type for 6 ports	111	100
MUJ-7S	216107	Single type for 7 ports	127	116
MUJ-8S	216108	Single type for 8 ports	143	132
MUJ-9S	216109	Single type for 9 ports	159	148
MUJ-10S	216110	Single type for 10 ports	175	164

Model	Part Number	Specificaltion	L ¹	L ²
MUJ-2D	216121	Double type for 2 ports	31	20
MUJ-4D	216122	Double type for 4 ports	47	36
MUJ-6D	216123	Double type for 6 ports	63	52
MUJ-8D	216124	Double type for 8 ports	79	68
MUJ-10D	216125	Double type for 10 ports	95	84
MUJ-12D	216126	Double type for 12 ports	111	100
MUJ-14D	216127	Double type for 14 ports	127	116
MUJ-16D	216128	Double type for 16 ports	143	132

Material: Aluminium (A6063S-T5)